

RRJ_USB3_SW_150

02.08.2022



General Data

Type reference:	RRJ_USB3_SW_150
Description:	USB 3.0 jack with cable and connector A
Degree of protection:	IP65
Connection type:	front: USB3.0 jack type A rear: USB3.0 cable (length X=150 cm) with connector type A
Contact material:	phosphor bronze, gold-plated 0.05 µm
Max. storage temperature:	-25°C ... 80°C
Max. operating temperature:	-20°C ... 60°C
Mechanical life:	5,000 mating cycles
Mounting aperture:	22.3 mm
Colour:	black
Panel thickness:	1.0...7.0 mm
Tightening torque (mounting nut):	max. 1.5 Nm

Technical data

Operational voltage:	5V DC, +/- 10%
Pin assignment:	1:1

Note

USB3.0 jack A/connector A
 Front: USB3.0 jack type A
 Rear: USB3.0 cable, length X=150 cm ± 10 mm with connector type A

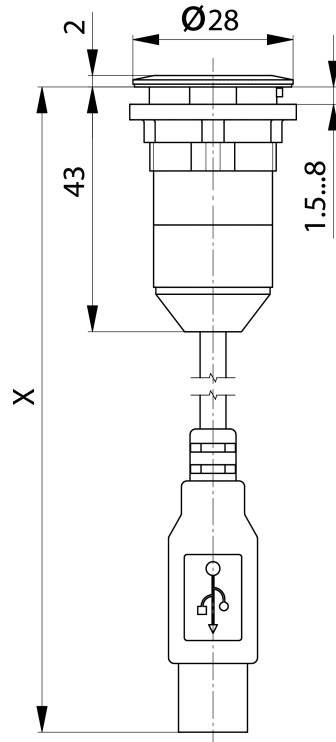
USB cable: USB-3.0
 Cable structure: 28AWG* 1PAIR+(28AWG* 1PAIR)

Pin (jack)	Signal name	Pin (USB connector)	Remark (cable)
1	VBUS	1	AWG24
2	D-	2	twisted and shielded AWG 28
3	D+	3	
4	GND	4	AWG24
5	StdA_SSRX-	5	twisted and shielded AWG 28
6	StdA_SSRX+	6	
7	GND Drain	7	
8	StdA_SSTX-	8	twisted and shielded AWG 28
9	StdA_SSTX+	9	
screen	screen	screen	

Current carrying capacity of jack pins:

PIN 1, PIN 4:	1.8 A
PIN 2, PIN 3:	0.25 A

Dimensional drawing



Drilling pattern

