

Datasheet

→ **BVS** 

08/15/2024



Technical Data

Dummy, silver-coloured

<i>Series</i>	Accessories
<i>Rubric</i>	Accessories for pushbuttons
<i>Shape</i>	round



→ General Data

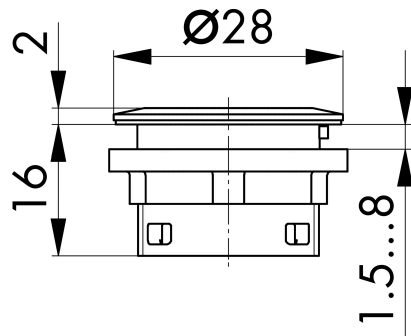
<i>Protection class</i>	IP65 IP67
<i>Approvals</i>	CE, UKCA
<i>Operating temperature</i>	-25 ... 70 °C
<i>Storage temperature</i>	-40 ... 85 °C
<i>Mounting position</i>	any
<i>Mounting aperture</i>	Ø 22.3 mm
<i>Color</i>	Silver colored

→ Mechanical Data

<i>Tightening torque (fastening nut)</i>	min. 1.5 Nm max. 1.9 Nm
--	----------------------------

Technical Drawings

→ Dimensional drawing



→ Cutout dimensions

