

## L5,5K24RG

30.03.2022

### Two-colour LED, T5,5K socket - 24V

with built-in series resistor  
colour depending on the polarity



#### General Data

|                             |                                       |
|-----------------------------|---------------------------------------|
| Type reference:             | L5,5K24RG                             |
| Description:                | Dual chip LED T5,5K - ultrabright 24V |
| Approvals:                  | CE                                    |
| Max. storage temperature:   | -25°C ... 80°C                        |
| Max. operating temperature: | -20°C ... 60°C                        |

#### Technical Data - Lamp

|              |                         |
|--------------|-------------------------|
| Lamp socket: | T5,5K                   |
| Definition:  | Marking: 24V+(=red LED) |

#### Additional electrical data

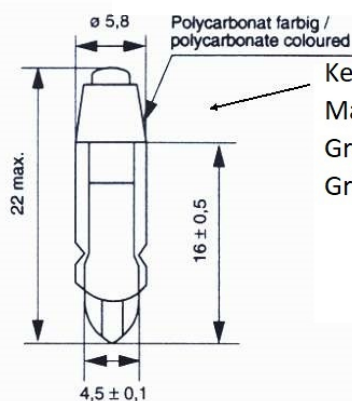
|                |                                   |
|----------------|-----------------------------------|
| LED type:      | ultra bright dual chip LED, L5,5k |
| Rated voltage: | 24V DC (+10%)                     |

#### Note

|                           |      |       |
|---------------------------|------|-------|
| Colour:                   | red  | green |
| Rated current [mA]:       | 14   | 13    |
| Luminous intensity [mcd]: | 2300 | 650   |
| Dom. wavelength: [nm]     | 625  | 525   |

The electrical and optical data were measured at an ambient temperature of 25°C.

Due to fabrication tolerances, the LEDs may have minor variations in colour (colour temperature). Therefore, it cannot be precluded that the colours of the LEDs of the same batch are perceived differently.



Kennzeichnung: „24V +“ = „rot“  
 Marking: „24V +“ = „red“  
 Green: polarity change  
 Grün: Polaritätswechsel