

RRJSSA15

18.03.2024

Key actuator, maintained



General Data

Type reference	RRJSSA15
Description	Key switch
Approvals	CCC, CE, cURus, UKCA
Degree of protection	IP65
Max. storage temperature	-50°C ... 85°C
Max. operating temperature	-25°C ... 70°C
Mechanical life	The mechanical life time depends on the type and number of contact blocks being used.

Technical data

Mounting aperture	22.3 mm
Tightening torque (mounting nut)	max. 1.5 Nm

Note

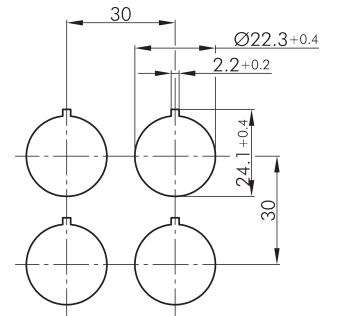
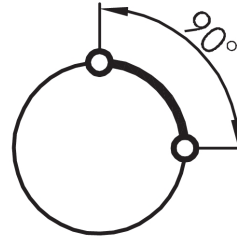
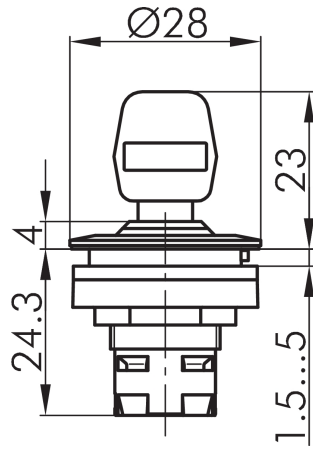
- 2 switching positions, maintained
- silver-coloured front ring
- series Rontron-R-Juwel

RRJSSA15(_xxx) (xxx ...key number for special key)

Data cc. to UL508/ CSA 22.2 No. 14-18

Enclosure Type	Type 4x indoor
----------------	----------------





I = Schaltstellung / Switching position / Position de contact
 > = Federrückzug / Spring return / Rappel par ressort
 © = Schlüsselabzugstellung / Key removable position Retrait de la clé

