

RXJN_FSB3_24V

09.09.2020

LED switching position indicator, 3-coloured

General Data

Type reference	RXJN_FSB3_24V
Description	Pilot light, position indicator, 3-colour LED cross light
Approvals	CE, UKCA
Degree of protection	IP65 / IP67
Max. operating temperature	-25°C ... 55°C
Mounting aperture	22.3 mm
Colour	red / green / yellow

Electrical data acc. to DIN EN 60947-1:2007+A1:2011+A2:2014

Rated voltage	24 V DC (+10%)
Rated current	max. 17 mA
Insulation voltage	1.5 kV
Insulation resistance	> 2 MOhm
Overvoltage category	II
Pollution degree	2

Note

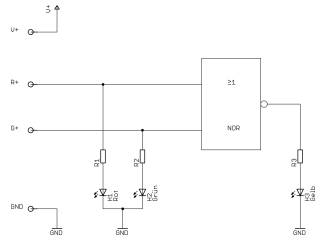
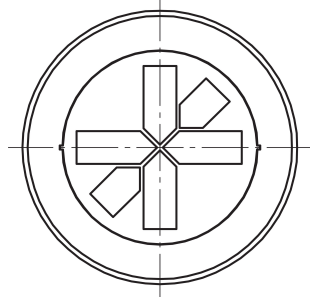
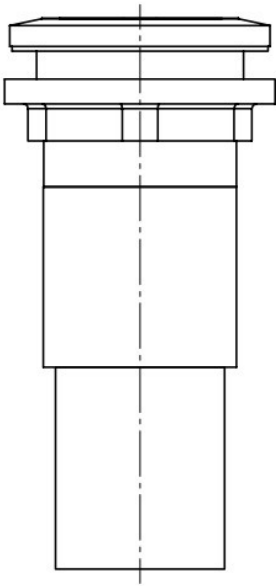
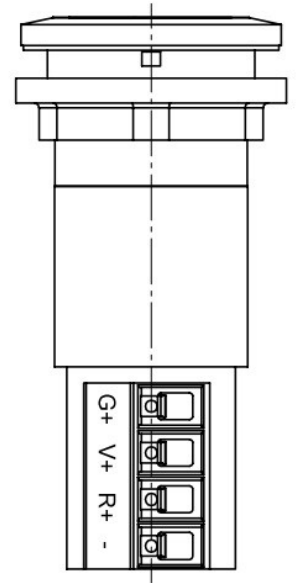
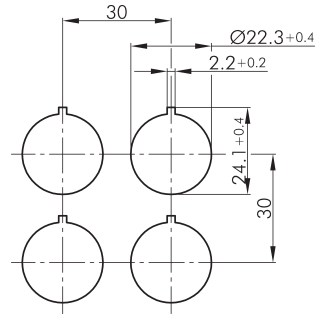
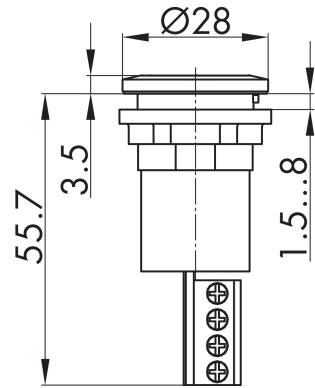
Connection screw connection (Phoenix PT 2,5/ 4-5,0-V)
 Conductor cross section rigid/flexible: 0.5 mm² ... 4 mm²
 Conductor cross section flexible; ferrule
 with or without wire end ferrule: 0.5 mm² ... 2.5 mm²
 Conductor cross section AWG: 20 ... 10
 2 conductors of same cross section rigid/flexible: 0.5 mm² ... 1.5 mm²
 2 conductors of same cross section flexible;
 ferrule without wire end ferrule: 0.5 mm² ... 0.75 mm²
 2 conductors of same cross section flexible;
 TWIN ferrule with wire end ferrule: 0.5 mm² ... 1.5 mm²

Housing
RXJN

General

The intentional use refers to the operation of only one LED strand. If multiple LED colours are operated at the same time the technical data cannot be kept and the component may be destroyed by overload. Thus, lamp test is to be conducted only for a short time. It is not designed for continuous operation.
 The pilot light is designed for the use in an enclosure or in a switching cabinet (protection against electrical shock). In addition, a suitable stain relief has to be provided.





Rot	Grün	Gelb
0	0	1
0	1	0
1	0	0
1	1	0

