

# RRJSSA15

18.03.2024

## Key actuator, maintained



### General Data

Type reference:	RRJSSA15
Description:	Key switch
Approvals:	CCC, CE, cURus, UKCA
Degree of protection:	IP65
Max. storage temperature:	-50°C ... 85°C
Max. operating temperature:	-25°C ... 70°C
Mechanical life:	The mechanical life time depends on the type and number of contact blocks being used.

### Technical data

Mounting aperture:	22.3 mm
Tightening torque (mounting nut):	max. 1.5 Nm

### Note

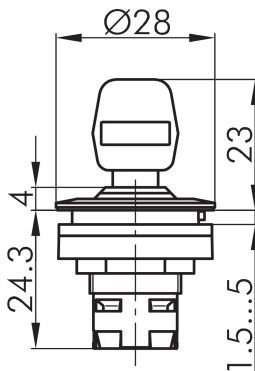
- 2 switching positions, maintained
- silver-coloured front ring
- series Rontron-RJuwel

RRJSSA15(\_xxx) (xxx ...key number for special key)

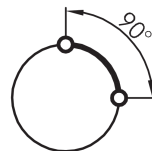
### Data cc. to UL508/ CSA 22.2 No. 14-18

Enclosure Type: Type 4x indoor

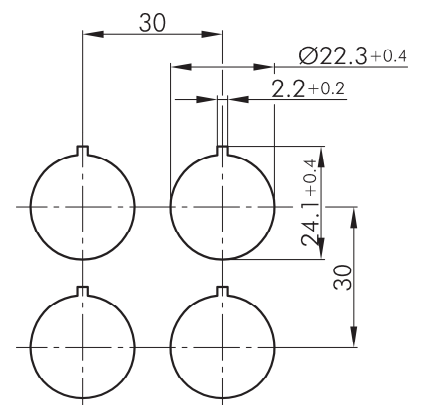
**Dimensional drawing**



**Switching position**



**Drilling pattern**



I = Schaltstellung / Switching position / Position de contact  
 > = Federrückzug / Spring return / Rappel par ressort  
 O = Schlüsselabzugstellung / Key removable position Retrait de la clé