

# Datasheet

→ **QXDMDGBL** 

10/30/2024



## Technical Data

|               |             |
|---------------|-------------|
| <i>Series</i> | QUARTRON®   |
| <i>Rubric</i> | Push button |
| <i>Shape</i>  | square      |



### → General Data

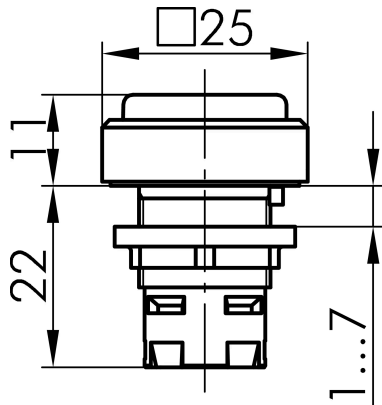
|                          |            |
|--------------------------|------------|
| <i>Illumination</i>      | Yes        |
| <i>Protection class</i>  | IP67       |
| <i>Mounting aperture</i> | Ø 16.2 mm  |
| <i>Front frame color</i> | anthracite |

### → Mechanical Data

|                           |                    |
|---------------------------|--------------------|
| <i>Operating travel</i>   | 3 mm               |
| <i>Switching function</i> | Momentary function |

## Technical Drawings

→ Dimensional drawing



→ Cutout dimensions

