

Datasheet

→ **QRJKWS** 

10/30/2024



Technical Data

Toggle head

Series QUARTEX®-R-JUWEL

Rubric Toggle head

Shape square



→ General Data

Illumination No

Protection class IP65

Mounting aperture 26 x 26 mm

Front frame color white

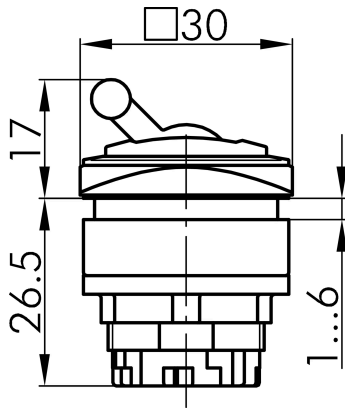
→ Mechanical Data

Operating travel 6 mm

Switching function Latching function

Technical Drawings

→ Dimensional drawing



→ Cutout dimensions

