

SWAOI_M01

13.12.2021

Selector switch, maintained



General Data	
Type reference	SWAOI_M01
Description	Pre-assembled selector switch with M12 connector, 2 positions, maintained
Approvals	CE, cURus, ENEC10, VDE, UKCA
Contact type	1 NC + 1 NO
Degree of protection	IP65 (in the front and on the rear)
Connection type	4-pole M12 with PUR cable, A coded; length 25 cm; wires 4 x 0.34 mm ² (AWG22)
Contact material	AgNi
Max. storage temperature	-40°C ... 80°C
Max. operating temperature	-25°C ... 70°C
Mechanical life	1 million switching cycles
Electrical life (rated load)	1 million switching cycles; DC13: max. 100,000
Contact resistance NO	< 100 mOhm (25 cm cable, AgNi contact block, new state)
Contact resistance NC	< 100 mOhm (25 cm cable, AgNi contact block, new state)
Bouncing time NO	< 10ms
Bouncing time NC	< 10ms
Positive opening contact	acc. to EN60947-5-1, appendix K

Electrical data acc. to IEC/EN 60947-5-1 (VDE 0660 Sect. 200)		
	alternate current	direct current
Utilisation category	AC15 B300	DC13 Q300
Rated insulation voltage Ui	250 V	250 V
Rated operating voltage Ue	240 V / 120 V	250 V / 125 V
Rated operating current Ie	1.5 A / 3 A	0.27 A / 0.55 A
Breaking capacity	-	-
Continuous thermal current	4 A	-

Additional data	
Mounting aperture	22.3 mm



Tightening torque (mounting nut)	1.5 ... 1.9 Nm
Tightening torque (M12-connector)	max. 0.4 Nm
Mounting position	any
Standards	EN 60947-5-1, EN 61058-1
Material group	I
Overvoltage category	II
Pollution degree	2

Note

O = NC contact; I = NO contact

- 2-position selector switch, maintained

Selector switch:

- Shortron range
- silver-coloured front ring
- sealed on rear

Further information acc. to IEC/EN 60947-5-1:

AC15: 35 V~ / 4 A

DC13: 35 V DC / 2 A

Connecting cable:

- PUR cable with M12 connector straight, black
- integrated stain relief
- cable diameter: 4.7 mm
- length: 25±3 cm
- bending radius moving: 10 x cable diameter
- bending radius fixed: 5 x cable diameter

Pin assignment:

Pin 1 Pin 2 Pin 3 Pin 4

COM NC n.c. NO

Attention:

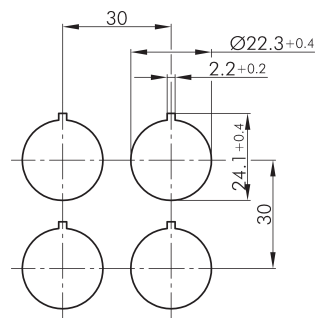
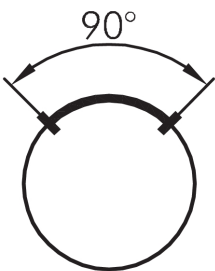
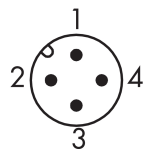
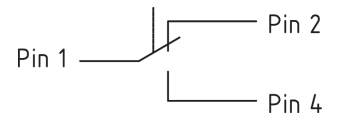
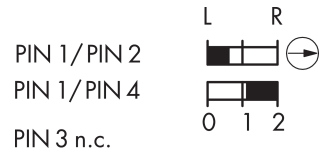
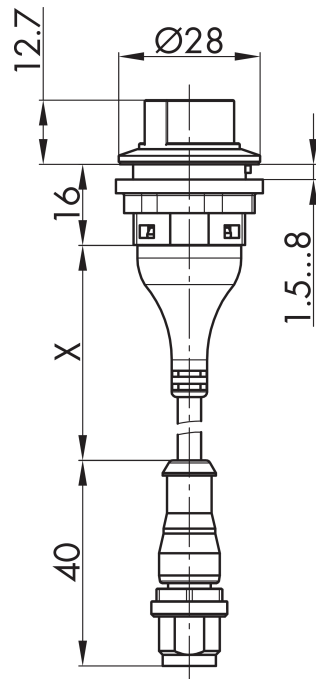
The common changeover contact (COM-Pin1) may be loaded with max. 4 A

Data acc. to UL508

Ratings

24 V DC 2 A General Purpose





- Legende:
I= Schaltstellung >> Federrückzug
- Legend:
I= Switching position >= Spring return
- Légende:
I= Position de contact >= Rappel par ressort

