

Contact Block: PCTS_ALLE**General Data**

Type reference:	PCTS(L)(_R0)
Description:	Contact Block for base-plate mounting
Approvals:	CE, UR
Nature of contact:	1 inverter
Operation travel:	2.3 mm
Connection type:	PCB-mount terminals
Contact material:	gold-plated 1.5µm
Max. storage temperature:	-40°C ... 80°C
Max. operating temperature:	-25°C ... 70°C
Mechanical life:	1 million switching cycles
Electrical life (rated load):	1 million operations at rated load
Contact resistance NO:	< 50 mOhm (new state)
Contact resistance NC:	< 100 mOhm (new state)
Bouncing time NO:	< 10ms
Bouncing time NC:	< 10ms

Technical Data - Lamp

Lamp socket:	none, with integrated 3 mm LED
Max. lamp voltage:	30 V AC/DC (*1)
Definition:	X1...anode, X2...cathode

Electrical Features

Rated voltage:	20mV ... 48V AC/DC
Rated current:	0.01mA ... 100mA

Note

1W=inverter (snap-action contact)
R0= LED without series resistor

The contact unit is snapped into the actuator neck.
Spacer sleeves ensure the correct distance between PCB and mounting plate.

Instruction for mounting
The position offset between actuator and switching element must lie in a circle of Ø 0.2mm.

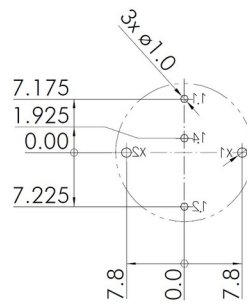
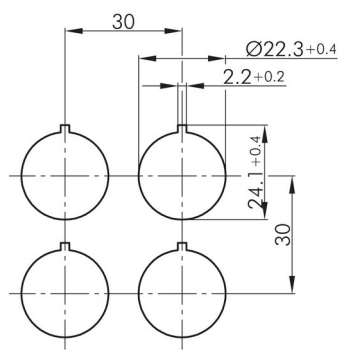
(*1) does not apply to the types "..._R0"

UL approval for: PCTS(L)(xV)(_R0)

Electrical Features

Rated voltage:	20mV ... 42V AC/DC
Rated current:	0.01mA ... 100mA

- subject to alterations -



Sicht auf Bestückungsseite
der Leiterplatte

- subject to alterations -