

Datasheet

→ **RRJFTSW** 

10/31/2024



Technical Data

Membrane pushbutton head

<i>Series</i>	RONTRON-RJUWEL
<i>Rubric</i>	Membrane switch
<i>Shape</i>	round



→ General Data

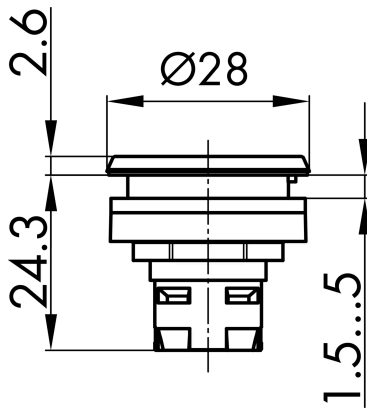
<i>Illumination</i>	Yes
<i>Protection class</i>	IP66 IP69K
<i>Approvals</i>	CCC, cCSAus, CE, cURus, DGUV_Test, UKCA
<i>Operating temperature</i>	-25 ... 70 °C
<i>Storage temperature</i>	-50 ... 85 °C
<i>Mounting aperture</i>	Ø 22.3 mm
<i>Front frame color</i>	black
<i>Actuator color</i>	black

→ Mechanical Data

<i>Tightening torque (fastening nut)</i>	min. 0.8 Nm Alternatively with S16 mounting wrench max. 1.2 Nm Alternatively with S16 mounting wrench
<i>Mechanical life</i>	500,000 Switching cycles
<i>Operating travel</i>	1.5 mm
<i>Switching function</i>	Momentary function

Technical Drawings

→ Dimensional drawing



→ Cutout dimensions

