

Datasheet

→ **QRS** 

10/31/2024



Technical Data

Mushroom head, momentary

<i>Series</i>	QUARTEX®-R
<i>Rubric</i>	Strike button/mushroom button



→ General Data

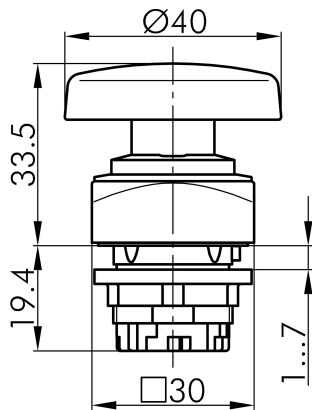
<i>Illumination</i>	No
<i>Protection class</i>	IP65
<i>Mounting aperture</i>	Ø 22.3 mm
<i>Front frame color</i>	anthracite
<i>Actuator color</i>	red

→ Mechanical Data

<i>Operating travel</i>	6 mm
<i>Switching function</i>	Momentary function

Technical Drawings

→ Dimensional drawing



→ Cutout dimensions

