

Datasheet

→ **KRJK** 

10/31/2024



Technical Data

Toggle head

Series KOMBITAST®-R-JUWEL

Rubric Toggle head

Shape round



→ General Data

Illumination No

Protection class IP65

Approvals CCC, CE, cULus, UKCA

Operating temperature -25 ... 70 °C

Storage temperature -40 ... 80 °C

Mounting aperture Ø 30.5 mm

Front frame color anthracite

→ Mechanical Data

Tightening torque (fastening nut) max. 2.5 Nm

Operating travel 6 mm

Switching function Latching function

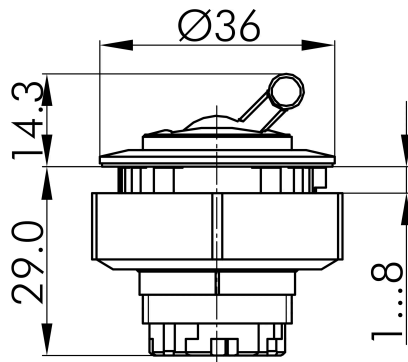
→ Note

with red toggle

* 1) Life time specifications:
The mechanical life time depends on the type and number of contact blocks being used.

Technical Drawings

→ Dimensional drawing



→ Cutout dimensions

