

# Datasheet

→ **SVATLRG** 

10/31/2024



## Technical Data

-

|               |                                  |
|---------------|----------------------------------|
| <i>Series</i> | SHORTRON® intermediate structure |
| <i>Rubric</i> | Push button                      |
| <i>Shape</i>  | round                            |



### → General Data

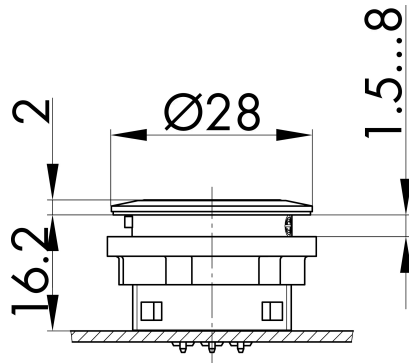
|                              |                                   |
|------------------------------|-----------------------------------|
| <i>Illumination</i>          | Yes                               |
| <i>Protection class</i>      | IP65<br>IP67                      |
| <i>Approvals</i>             | CCC, CE, cURus, ENEC10, VDE, UKCA |
| <i>Operating temperature</i> | -25 ... 70 °C                     |
| <i>Storage temperature</i>   | -40 ... 80 °C                     |
| <i>Mounting position</i>     | any                               |
| <i>Mounting aperture</i>     | Ø 22.3 mm                         |
| <i>Front frame color</i>     | Stainless steel, glossy           |
| <i>Actuator color</i>        | green                             |

### → Mechanical Data

|  |                            |
|--|----------------------------|
| <i>Tightening torque (fastening nut)</i> | min. 1.5 Nm<br>max. 1.9 Nm |
| <i>Mechanical life</i>                   | 1,000,000 Switching cycles |
| <i>Operating travel</i>                  | 2.3 mm                     |
| <i>Switching function</i>                | Momentary function         |

## Technical Drawings

→ Dimensional drawing



→ Cutout dimensions

