

RKSSA17

21.07.2021

Key actuator, maintained

General Data

Type reference	RKSSA17
Description	Key switch
Approvals	CCC, CE, UKCA, UR
Degree of protection	IP65
Max. storage temperature	-50°C ... 85°C
Max. operating temperature	-25°C ... 70°C
Mechanical life	The mechanical life time depends on the type and number of contact blocks being used.

Technical data

Mounting aperture	16.2 mm
Mounting position	any
Panel thickness	1.0...5.0 mm
Range	OKTRON®-R
Illumination	none
Labelling option	no
Colour	charcoal housing
Shape	round

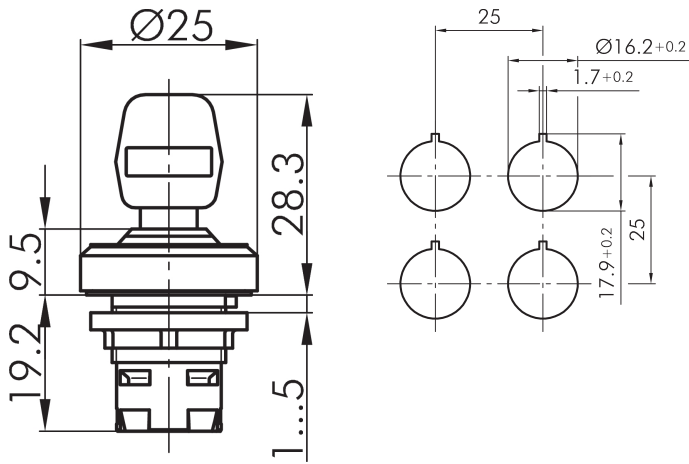
Note

Key number: RKSSA17(_yyy); yyy = possible key nbr. from 1-999!

Data cc. to UL508/ CSA 22.2 No. 14-18

Enclosure Type	Type 1 indoor
----------------	---------------





I = Schaltstellung / Switching position / Position de contact
 > = Federrückzug / Spring return / Rappel par ressort
 O = Schlüsselabzugstellung / Key removable position Retrait de la clé

