

# Datasheet

→ **RRJ\_USB3\_SW\_AA** 

10/31/2024



## Technical Data

USB3.0 jack A/jack A

*Series* RONTRON-RJUWEL

*Rubric* Mounting jack

*Shape* round



## → General Data

*Illumination* No

*Protection class* IP65

*Operating temperature* -20 ... 60 °C

*Storage temperature* -25 ... 80 °C

*Mounting aperture* Ø 22.3 mm

*Front frame color* black

*Connection* USB 3.0 socket type A / 9-pin

*Contact material* Phosphor bronze gold-plated 0.05 µm

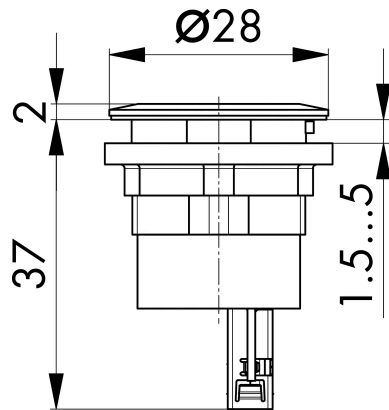
## → Mechanical Data

*Tightening torque (fastening nut)* max. 1.5 Nm

*Mechanical life* 5,000 Mating cycles

## Technical Drawings

→ Dimensional drawing



→ Cutout dimensions

