

Datasheet

→ **KRJMT** 

10/31/2024



Technical Data

Pushbutton head

Series KOMBITAST®-R-JUWEL

Rubric Push button

Shape round



→ General Data

Illumination Yes

Approvals CCC, CE, cULus, DNVGL, UKCA

Operating temperature -40 ... 70 °C

Storage temperature -50 ... 85 °C

Mounting aperture Ø 30.5 mm

Front frame color silver colored

→ Mechanical Data

Tightening torque (fastening nut) max. 2.5 Nm

Operating travel 6 mm

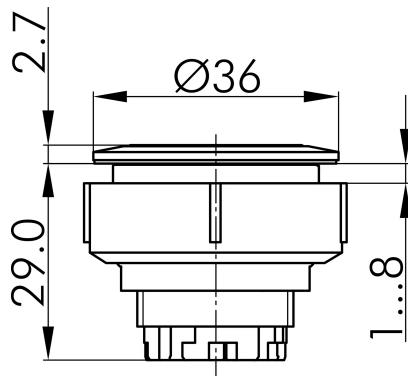
→ Note

*1) Lifetime specifications:

The mechanical and electrical life time depends on the kind of pushbutton or switch (pushbutton, selector/key switch, ...) and the contact block being used as well as on the number of contact blocks

Technical Drawings

→ Dimensional drawing



→ Cutout dimensions

