

Datasheet

→ **RRJRSW** 

12/11/2024



Technical Data

Knob set for potentiometers

Series RONTRON-RJUWEL

Rubric Potentiometer

Shape round



→ General Data

Illumination No

Protection class IP65

Mounting aperture Ø 22.3 mm

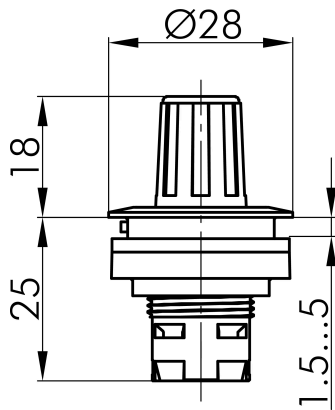
Front frame color black

→ Note

With rotary handle, but without potentiometer. For potentiometer with 6 mm axis diameter and thread M10 x 0.75
axis length: approx. 32 mm

Technical Drawings

→ Dimensional drawing



→ Cutout dimensions

