

## QXJT

25.10.2024

### Pushbutton head



#### General Data

Type reference:	QXJT
Description:	Pushbutton
Approvals:	CCC, CE, UKCA
Degree of protection:	IP66
Operation travel:	6 mm
Max. storage temperature:	-40°C ... 80°C
Max. operating temperature:	-25°C ... 70°C
Mechanical life:	1 million switching cycles

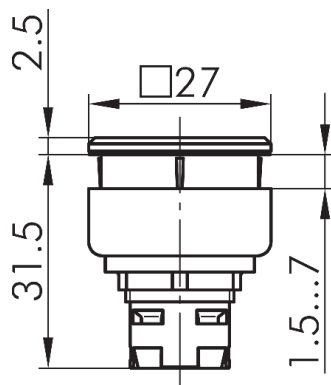
#### Additional data

Mounting aperture:	24 x 24 mm
Tightening torque (mounting nut):	max. 1.2 Nm
Panel thickness:	1.5...7.0 mm
Mounting position:	any

#### General data

Range:	QUARTRON-JUWEL®
Illumination:	illumination option
Colour:	black
Labelling option:	yes
Shape:	square

#### Dimensional drawing



#### Drilling pattern

