

**SVASSA170I\_C008**

30.11.2021

**Key-operated switch, maintained, with 4-pole M12 connector**



**General Data**

|                              |   |
|------------------------------|---|
| Type reference               | SVASSA12II_C009   |
| Description                  | Key switch with integrated contact block and 4-pole M12 connector, maintained   |
| Approvals                    | CE, cURus, ENEC10, VDE, UKCA  |
| Contact type                 | 1 NC + 1 NO   |
| Degree of protection         | IP65 (in the front);<br>IP65 / IP67 (on the rear with plugged-in M12 connector) |
| Connection type              | 4-pole M12 connector (integrated), A coded                                      |
| Contact material             | AgNi  |
| Max. storage temperature     | -40°C ... 80°C  |
| Max. operating temperature   | -25°C ... 70°C  |
| Mechanical life              | 30,000 switching cycles   |
| Electrical life (rated load) | 30,000 switching cycles at rated load   |
| Contact resistance NO        | < 50 mOhm (new state)   |
| Contact resistance NC        | < 50 mOhm (new state)   |
| Bouncing time NO             | < 10ms  |
| Bouncing time NC             | < 10ms  |
| Positive opening contact     | acc. to EN60947-5-1, appendix K   |

**Electrical data acc. to IEC/EN 60947-5-1 (VDE 0660 Sect. 200)**

|                             | alternate current | direct current |
|-----------------------------|-------------------|----------------|
| Utilisation category        | AC15              | DC13           |
| Rated insulation voltage Ui | 50 V              | 50 V           |
| Rated operating voltage Ue  | 35 V              | 35 V           |
| Rated operating current Ie  | 1 A               | 1 A            |
| Breaking capacity           | -                 | -              |
| Continuous thermal current  | 1 A               | -              |

**Additional data**

|                   |         |
|-------------------|---------|
| Mounting aperture | 22.3 mm |
|-------------------|---------|



|                                   |                          |
|-----------------------------------|--------------------------|
| Tightening torque (mounting nut)  | 1.5 ... 1.9 Nm           |
| Tightening torque (M12-connector) | max. 0.4 Nm              |
| Mounting position                 | any                      |
| Standards                         | EN 60947-5-1, EN 61058-1 |
| Material group                    | I                        |
| Overvoltage category              | II                       |
| Pollution degree                  | 2                        |

### Note

O = NC contact; I = NO contact

- stainless steel front ring

Pin assignment:

Pin 1 Pin 2 Pin 3 Pin 4 Type  
COM NC n.c. NO 1 NC 1 NO

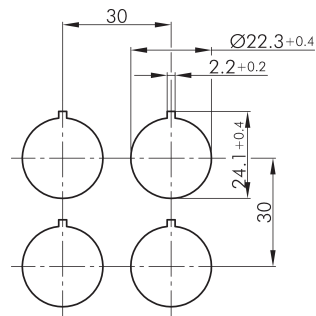
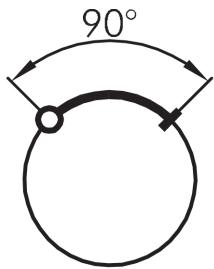
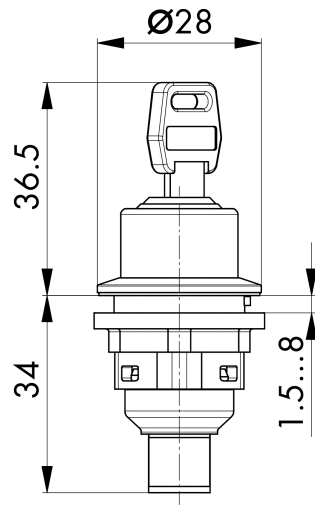
Safety instructions / mounting instructions

- the connector must not be connected or disconnected under load

### Test data acc. to UL60947-5-1 / C22.2 No. 60947-5-1

Rating 24 V DC 1 A general purpose





PIN 1 / PIN 2  
PIN 1 / PIN 4  
PIN 3 n.C.

