

Datasheet

→ [QRTM_RWS](#) 

10/31/2024



Technical Data

Membrane pushbutton head

| | |
|--------|-------------|
| Series | QUARTEX®-R |
| Rubric | Push button |
| Shape | square |



→ General Data

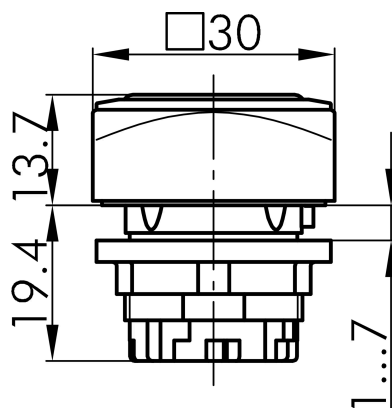
| | |
|-------------------|-----------|
| Illumination | Yes |
| Protection class | IP67 |
| Mounting aperture | Ø 22.3 mm |
| Front frame color | white |

→ Mechanical Data

| | |
|------------------|------|
| Operating travel | 6 mm |
|------------------|------|

Technical Drawings

→ Dimensional drawing



→ Cutout dimensions

