

Datasheet

→ **SSWTLRG** 

10/31/2024



Technical Data

-

| | |
|---------------|----------------------------------|
| <i>Series</i> | SHORTRON® intermediate structure |
| <i>Rubric</i> | Push button |
| <i>Shape</i> | round |



→ General Data

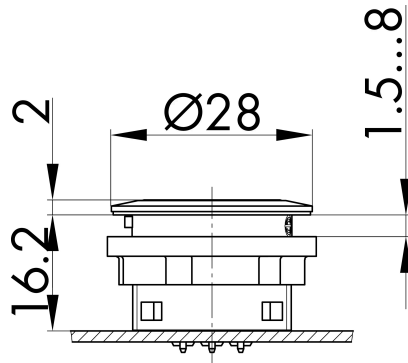
| | |
|------------------------------|-----------------------------------|
| <i>Illumination</i> | Yes |
| <i>Protection class</i> | IP65 IP67 |
| <i>Approvals</i> | CCC, CE, cURus, ENEC10, VDE, UKCA |
| <i>Operating temperature</i> | -25 ... 70 °C |
| <i>Storage temperature</i> | -40 ... 80 °C |
| <i>Mounting position</i> | any |
| <i>Mounting aperture</i> | Ø 22.3 mm |
| <i>Front frame color</i> | black |
| <i>Actuator color</i> | green |

→ Mechanical Data

| | |
|--|----------------------------|
| <i>Tightening torque (fastening nut)</i> | min. 1.5 Nm max. 1.9 Nm |
| <i>Mechanical life</i> | 1,000,000 Switching cycles |
| <i>Operating travel</i> | 2.3 mm |
| <i>Switching function</i> | Momentary function |

Technical Drawings

→ Dimensional drawing



→ Cutout dimensions

