

# Datasheet

→ **SVAFTPLI\_C005** [↗](#)

03/10/2025



## Technical Data

Membrane switch with LED, integrated contact sensor and M12 connection, suitable for hygiene applications

|               |                   |
|---------------|-------------------|
| <i>Series</i> | SHORTRON® connect |
| <i>Rubric</i> | Membrane switch   |
| <i>Shape</i>  | round             |



## → General Data

|                              |                                      |
|------------------------------|--------------------------------------|
| <i>Illumination</i>          | Yes                                  |
| <i>Protection class</i>      | IP66<br>IP67<br>IP69K                |
| <i>Approvals</i>             | CE, cURus                            |
| <i>Operating temperature</i> | -25 ... 70 °C                        |
| <i>Storage temperature</i>   | -40 ... 80 °C                        |
| <i>Mounting position</i>     | any                                  |
| <i>Mounting aperture</i>     | Ø 22,3 mm                            |
| <i>Installation depth</i>    | 33.5 mm                              |
| <i>Front frame color</i>     | Stainless steel, glossy              |
| <i>Actuator color</i>        | black                                |
| <i>Housing color</i>         | Black                                |
| <i>Connection</i>            | M12 plug (integrated), 4-pin A-coded |
| <i>Contact material</i>      | AgNi                                 |
| <i>Contact type</i>          | 1 NO                                 |

## → Electrical Data

|   |  |
|---|--|
| <i>Utilization category</i>                           | AC15<br>DC13   |
| <i>Rated operating voltage<br/>IEC/EN 60947-5-1</i>   | 35 V AC<br>35 V DC   |
| <i>Rated operational current<br/>IEC/EN 60947-5-1</i> | 4 A AC<br>2 A DC   |
| <i>Rated insulation voltage<br/>IEC/EN 60947-5-1</i>  | 50 V AC<br>50 V DC   |
| <i>Continuous thermal current</i>                     | 4 A  |
| <i>Electrical life</i>                                | 3,000,000 Switching cycles at 5 V/ 6 mA, Tu=20 °C<br>1,000,000 Switching cycles at rated load AC<br>max. 100,000 Switching cycles DC13 |
| <i>Light source</i>                                   | LED integrated   |
| <i>Contact resistance</i>                             | NO < 50 mΩ   |
| <i>Bounce time</i>                                    | < 10 ms  |

## → Mechanical Data

|  |  |
|--|--|
| <i>Tightening torque (fastening nut)</i> | min. 1.5max. 1.9 Nm  |
| <i>Mechanical life</i>                   | 3,000,000 Switching cycles 20°C<br>1,000,000 Switching cycles 70°C<br>170,000 Switching cycles -25°C |
| <i>Operating travel</i>                  | 1.8 mm   |
| <i>Switching function</i>                | Momentary function   |

## → Note

Blue seal with FDA approval for the hygiene sector

Planned hygiene approval: DGUV

Pin assignment:

Pin 1 NO

Pin 2 NO

Pin 3 LED -

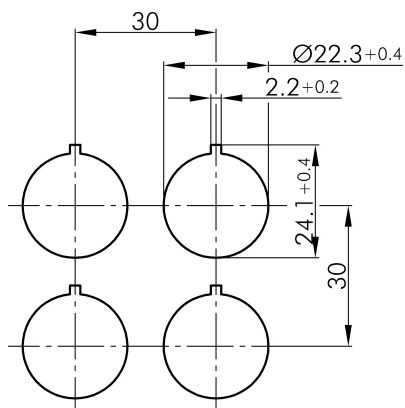
Pin 4 LED +

Safety instructions / installation instructions:

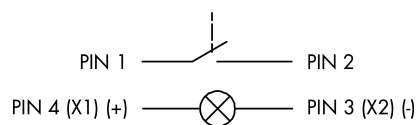
- The plug connector must not be connected or disconnected under load
- The individual plug pin may be loaded with max. 4 A
- The M12 connection must not be mechanically loaded, ensure sufficient strain relief!

## Technical Drawings

### → Cutout dimensions



### → Circuit diagram



### → Switching path diagram

