

Datasheet

→ **QRJTWS** 

10/31/2024



Technical Data

Pushbutton head

Series QUARTEX®-R-JUWEL

Rubric Push button

Shape square



→ General Data

Illumination Yes

Protection class IP65

Mounting aperture 26 x 26 mm

Front frame color white

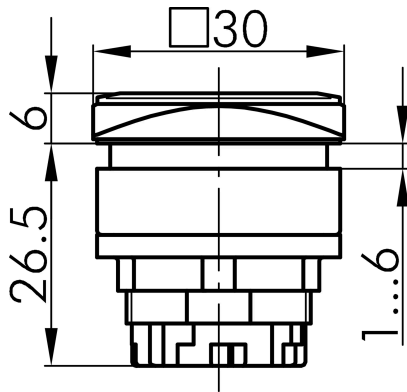
→ Mechanical Data

Operating travel 6 mm

Switching function Momentary function

Technical Drawings

→ Dimensional drawing



→ Cutout dimensions

