

KRJVASSA14E

01.07.2021



General Data

Type reference:	
Description:	Key switch
Approvals:	CE, cULus, DNVGL
Protection class:	II (protective insulation)
Degree of protection:	IP65
Max. storage temperature:	-50°C ... 85°C
Max. operating temperature:	-40°C ... 70°C

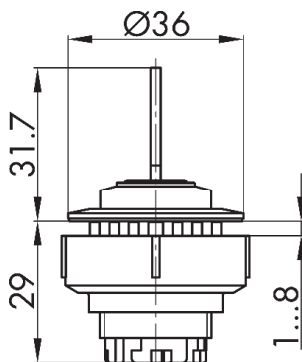
Technical data

Mounting aperture:	30.5mm
Tightening torque (mounting nut):	max. 2.5 Nm

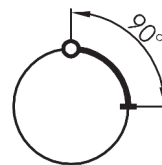
Data acc. to UL 60947-5-1 / CSA-C22.2 No. 60947-5-1

NEMA TYPE:	4 indoor/outdoor
------------	------------------

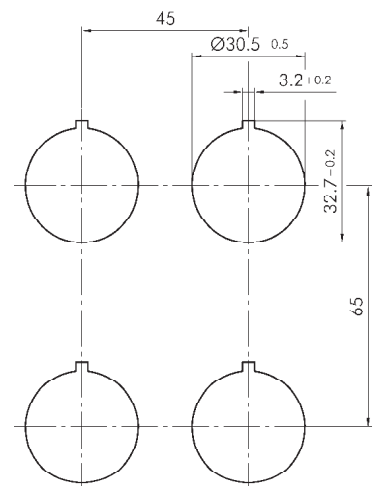
Dimensional drawing



Switching position



Drilling pattern



- I = Schaltstellung / Switching position / Position de contact
- > = Federrückzug / Spring return / Rappel par ressort
- O = Schlüsse labzugstellung / Key removable position / Retrait de la clé