

# KRBUVOO\_M11

14.04.2023

## Emergency-stop



### General Data

Type reference:	KRBUVOO_M11
Description:	Emergency-stop device, ready-for-use
Approvals:	CE, UKCA
Contact type:	2 NC
Protection class:	II (protective insulation)
Degree of protection:	IP65, IP69k (in the front); IP65, IP67 (on the rear)
Operation travel:	4.7 mm
Connection type:	4-pole M12 4 with PUR cable, A coded; length 25 cm; wires 4 x 0.5 mm <sup>2</sup> (AWG21)
Contact material:	AgNi
Max. storage temperature:	-40°C ... 80°C
Max. operating temperature:	-40°C ... 70°C
Mechanical life:	50,000 switching cycles
Electrical life (rated load):	50,000 switching cycles at rated load
Contact resistance NC:	< 100 mOhm
Bouncing time NC:	< 10ms
Positive opening contact:	acc. to EN60947-5-1, appendix K

### Electrical data acc. to IEC/EN 60947-5-1 (VDE 0660 Sect. 200)

	alternate current	direct current
Utilisation category	AC15	DC13
Rated insulation voltage U <sub>i</sub>	50 V	50 V
Rated operating voltage U <sub>e</sub>	35 V	35 V
Rated operating current I <sub>e</sub>	4 A	2 A
Breaking capacity	10I <sub>e</sub>	1,1I <sub>e</sub>
Continuous thermal current	4 A	4 A

### Additional data

Mounting aperture:	30.5mm
Tightening torque (mounting nut):	1.2 ... 2.2 Nm
Release:	twist release, left or right
Mounting position:	any
Standards:	EN 60947-5-1, EN 60947-5-5, EN ISO 13850
IK protection (EN50102):	IK06 (1 Joule)
Panel thickness:	1.5...6.0 mm
Shock resistance, IEC 60068-2-27:	50g at 11ms amplitude, semi-sinusoidal
L <sub>d</sub> :	20% (NC)
B10d [cycles]:	250,000 (AC15 35/4A, DC13 35/2A)
Material group:	I
Overvoltage category:	II
Pollution degree :	2

Operating force: approx. 30...40 N (at 20 mm/min)

### Note

O = NC contact  
Cable length X = 25 cm

- with switching position indicator
- suitable for devices of the protection class II
- red mushroom head made of UV stabilised material
- mounting/protective plate available on request, article no.: KRMW130 (see separate data sheet)

Pin assignment emergency-stop:

Pin 1	Pin 2	Pin 3	Pin 4	Type
NC (1)	NC (1)	NC (2)	NC (2)	2 NC

Approvals:

- planned: VDE or TÜV (acc. to EN60947-5-1/5-5, EN 13850)

Approval (cable):

UL (cURus)

Connecting cable with M12 connector article no.: MURR 7072-12021

Material (housing):

TPU

Gasket material:

TPU molded seal (axial & radial acting)

Coding:

A

Sheath colour:

black

Outer diameter:

4.9 ± 0.2 mm

Bending radius (rigid)

5x outer diameter

Bending radius (moving)

10x outer diameter

Tightening torque M12 connector:

0.6 Nm

### **Safety instructions / mounting instructions**

- the single connector pin may be loaded with max. 4 A (lth)
- observe the operating instructions

### **Additional electrical lifetime specifications:**

DC13 12V /4A (4-pole M12 connector):

Lifetime:	50,000 cycles at 10 operations/minute
B10d:	250,000 / Ld: 20%

DC13 35 V /3 A:

Lifetime:	20,000 cycles at 10 operations/minute
B10d:	157,500 / Ld: 20%

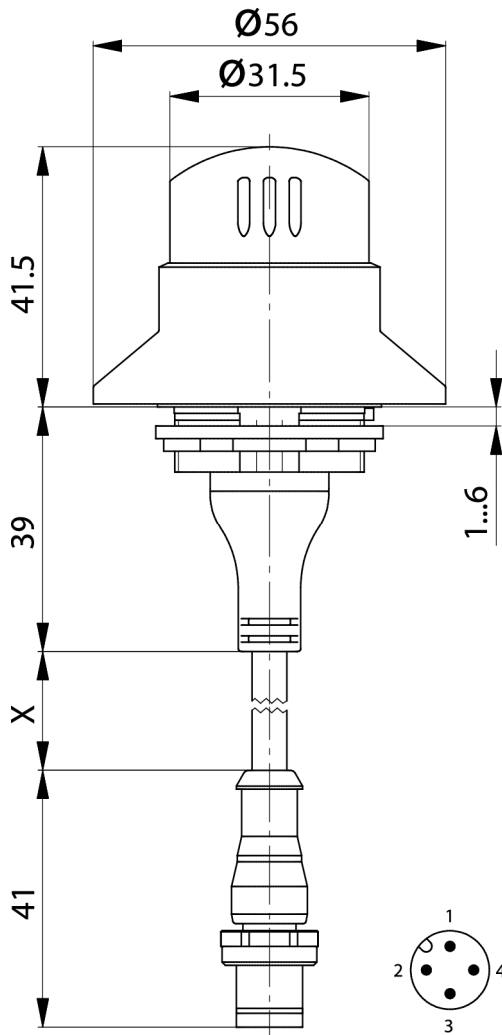
DC 5V / 6mA:

Lifetime:	20,000 cycles at 15 operations/minute
B10d:	350,000 / Ld: 20%

### **General information:**

- mechanical lifetime acc. to EN 60947-5-5 at Tu -40°...+70°C
- robustness test acc. to EN 60947-5-5 section 7.3.2 at Tu -40°...+40°C
- impact test acc. to EN 60947-5-5 at Tu -30°...+70°C

**Dimensional drawing**



**Circuit diagram**

