

Datasheet

→ **QXJR** 

10/31/2024



Technical Data

Knob set for potentiometers

<i>Series</i>	QUARTRON-JUWEL®
<i>Rubric</i>	Potentiometer
<i>Shape</i>	square

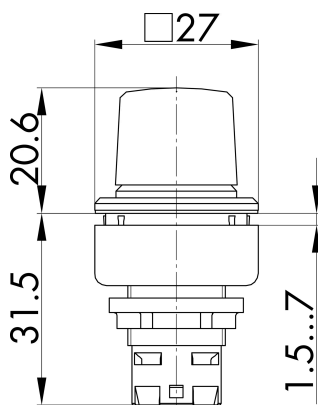


→ General Data

<i>Illumination</i>	No
<i>Protection class</i>	IP65
<i>Mounting aperture</i>	24 x 24 mm
<i>Front frame color</i>	black
<i>Actuator color</i>	black

Technical Drawings

→ Dimensional drawing



→ Cutout dimensions

