

Datasheet

→ [RVAN_WS](#) 

10/31/2024



Technical Data

Pilot light head

| | |
|--------|-----------------------------------|
| Series | RVA |
| Rubric | Light attachment/indicator lights |
| Shape | round |

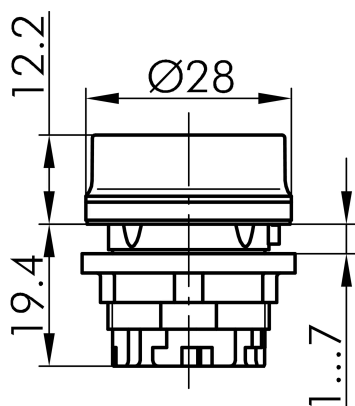


→ General Data

| | |
|-------------------|-------------------------|
| Illumination | Yes |
| Protection class | IP69K |
| Mounting aperture | Ø 22.3 mm |
| Front frame color | Stainless steel, glossy |

Technical Drawings

→ Dimensional drawing



→ Cutout dimensions

