

KRBUVOO_KD12

14.04.2023

Emergency-stop



General Data

Type reference:	KRBUVOO_KD12
Description:	Emergency-stop, foolproof, integrated connecting cable with Deutsch connector DT04-4P
Approvals:	CE, UKCA
Contact type:	2 NC
Protection class:	II (protective insulation)
Degree of protection:	IP65, IP69k (in the front); IP65, IP67 (on the rear)
Operation travel:	4.7 mm
Connection type:	connector: Deutsch DT04-4P with 4-wire connecting cable 0.75 mm ² , length 150 cm
Contact material:	AgNi
Max. storage temperature:	-40°C ... 80°C
Max. operating temperature:	-40°C ... 70°C
Mechanical life:	50,000 switching cycles
Electrical life (rated load):	50,000 switching cycles at rated load
Contact resistance NC:	< 150 mOhm
Min. voltage:	6 V AC/DC
Bouncing time NC:	< 10ms
Positive opening contact:	acc. to EN60947-5-1, appendix K

Electrical data acc. to IEC/EN 60947-5-1 (VDE 0660 Sect. 200)

	alternate current	direct current
Utilisation category	AC15	DC13
Rated insulation voltage U_i	50 V	50 V
Rated operating voltage U_e	35 V	35 V
Rated operating current I_e	4 A	2 A
Breaking capacity	10I _e	1,1I _e
Continuous thermal current	5 A	5 A

Additional data

Mounting aperture:	30.5mm
Tightening torque (mounting nut):	1.2 ... 2.2 Nm
Release:	twist release, left or right
Mounting position:	any
Standards:	EN 60947-5-1, EN 60947-5-5, EN ISO 13850
IK protection (EN50102):	IK06 (1 Joule)
Panel thickness:	1.5...6.0 mm
Shock resistance, IEC 60068-2-27:	50g at 11 ms amplitude, semi-sinusoidal
Ld:	20% (NC)
B10d [cycles]:	250,000 (AC15 35/4A, DC13 35/2A)
Material group:	I

Overvoltage category:	II
Pollution degree :	2
Operating force:	approx. 30...40 N (at 20 mm/min)
Media resistance:	ISO 16750-5:2010 Road vehicles environmental conditions and testing for electrical and electronic equipment. Part 5: Chemical loads

Note

O = NC contact
Cable length X = 150 cm

- with switching position indicator
- suitable for devices of the protection class II
- red mushroom head made of UV stabilised material
- mounting/protective plate available on request, article no.: KRMW130 (see separate data sheet)

Pin assignment emergency-stop:

Pin 1	Pin 2	Pin 3	Pin 4	Type
NC (1)	NC (1)	NC (2)	NC (2)	2 NC

Approvals:

- planned: VDE or TÜV (acc. to EN60947-5-1/5-5, EN 13850)

Approvals cable:

Connecting cable with Deutsch connector article no.:

Material:	UL/ CSA
Cross section:	MURR 7072-72461-5690150
Outer diameter:	PUR
Resistor (conductor) max.:	4x0.75
Colour:	6.5 ±5%
Resistance:	26 Ohm/km (20 °C)
Insulating material group:	black
Connector:	UV resistant, abrasion-proof, ultraflexible
Material characteristics (sheath):	IEC 60664-1, category III
	Deutsch DT04-4P
	free of CFC, halogen, cadmium, silicone
	and lead, matt, low-adhesion, easy
	mechanical processing, abrasion resistant,
	resistant to hydrolysis and microbes
Bending radius (rigid)	5x outer diameter
Bending radius (moving)	10x outer diameter

Safety instructions / mounting instructions

- the single connector pin may be loaded with max. 5 A (lth)
- observe the operating instructions

Additional electrical lifetime specifications:

DC13 12 V / 5 A (Deutsch connector):

Lifetime:	50,000 cycles at 10 operations/minute
B10d:	250,000 / Ld: 20%

DC13 35 V / 3 A:

Lifetime:	20,000 cycles at 10 operations/minute
B10d:	157,500 / Ld: 20%

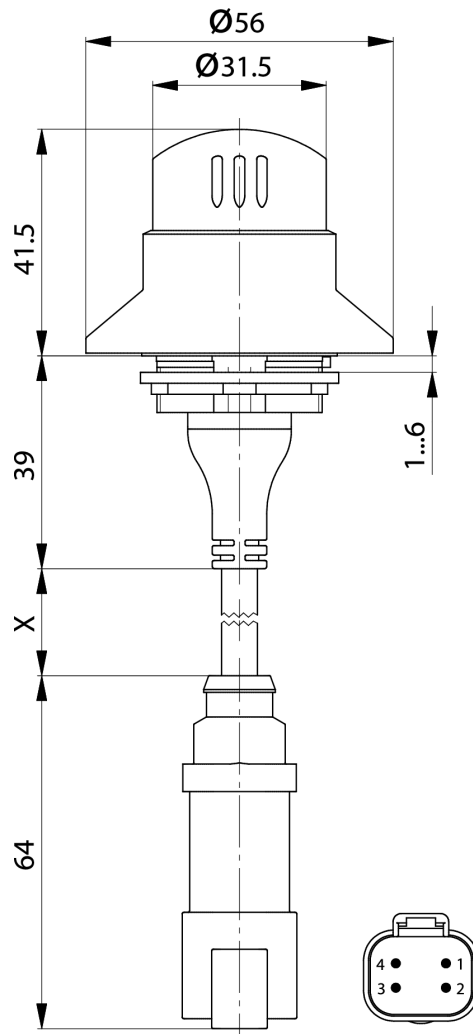
DC 5V / 6mA:

Lifetime:	20,000 cycles at 15 operations/minute
B10d:	350,000 / Ld: 20%

General information:

- mechanical lifetime acc. to EN 60947-5-5 at Tu -40°...+70°C
- robustness test acc. to EN 60947-5-5 section 7.3.2 at Tu -40°...+40°C
- impact test acc. to EN 60947-5-5 at Tu -30°...+70°C

Dimensional drawing



Circuit diagram

