

USB3.0 jack A/jack A (twisted data line)



General Data

Type reference	RRJVA_USB3_AA633
Description	USB 3.0 jack (twisted pair cable)
Connection type	USB 3.0 jack, front: type A / 9 poles USB 3.0 jack, rear: type A / 9 poles
Contact material	phosphor bronze, gold-plated 0.05 µm
Max. storage temperature	-25°C ... 80°C
Max. operating temperature	-20°C ... 60°C
Mechanical life	5,000 mating cycles
Mounting aperture	22.3 mm
Colour	VA...stainless steel
Panel thickness	1.5...5.0 mm
Tightening torque (mounting nut)	max. 0.8 Nm

Technical data

Operational voltage	5V DC, +/- 10%
Contact resistance	max. 50 mOhm
Maximum current	pin 1 & pin 4: 800 mA all other pins: 250 mA

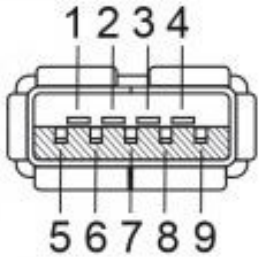
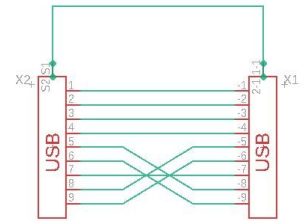
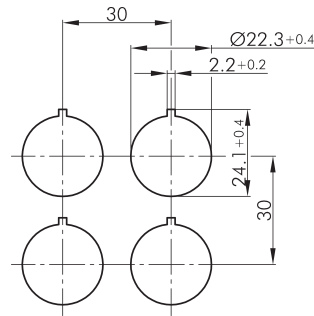
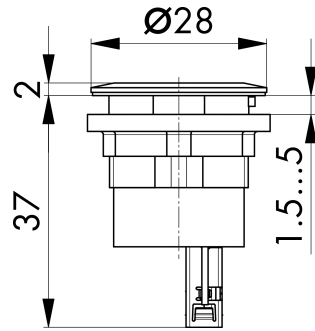
Note

Attention: pin assignment for pin 5, 8 and 6, 9 is reversed
see connecting example on page 2

USB 3.0 jack in the front USB 3.0 jack on the rear

Pin	Signal name	Pin	Signal name
1	VBUS	1	VBUS
2	D-	2	D-
3	D+	3	D+
4	GND	4	GND
5	StdA_SSRX-	5	StdA_SSTX-
6	StdA_SSRX+	6	StdA_SSTX+
7	GND Drain	7	GND Drain
8	StdA_SSTX-	8	StdA_SSRX-
9	StdA_SSTX+	9	StdA_SSRX+
	Screen		Screen





Anschlussbeispiele:

