

**RQJSSA28**

29.10.2021

**Key actuator, momentary**



**General Data**

Type reference	RQJSSA28
Description	Key switch
Approvals	CCC, cCSAus, CE, cURus, UKCA
Degree of protection	IP65
Max. storage temperature	-50°C ... 85°C
Max. operating temperature	-25°C ... 70°C

**Technical data**

Mounting aperture	22.3 mm
Tightening torque (mounting nut)	max. 1.5 Nm
Mounting position	any

**General data**

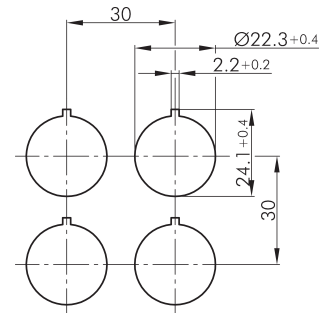
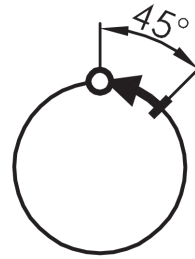
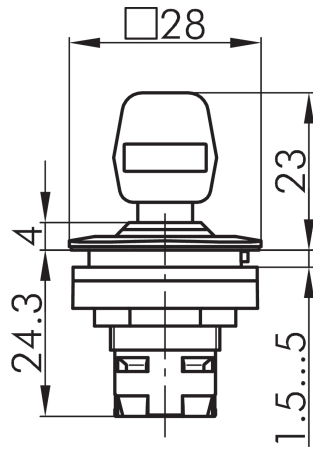
Range	RONTRON-Q-JUWEL
Labelling option	no
Illumination	none
Shape	rounded square
Colour	silver-coloured

**Note**

**Data cc. to UL508/ CSA 22.2 No. 14-18**

Enclosure Type	Type 4x indoor
----------------	----------------





<b>Légende:</b>
I=Position de commutation >=Rappel par ressort O=Retrait de la clé
<b>Legende:</b>
I= Schaltstellung >= Federrückzug O= Schlüsselabzugstellung
<b>Legend:</b>
I= Switching position >= Spring return O= Key removable position

