

Datasheet

→ **KRJVAV** 

10/31/2024



Technical Data

Mushroom head, latch-type

<i>Series</i>	KOMBITAST®-R-JUWEL
<i>Rubric</i>	Strike button/mushroom button
<i>Shape</i>	round



→ General Data

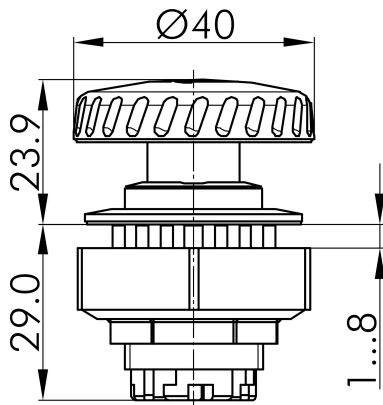
<i>Illumination</i>	No
<i>Protection class</i>	IP65
<i>Mounting aperture</i>	Ø 30.5 mm
<i>Front frame color</i>	Stainless steel, glossy
<i>Actuator color</i>	red

→ Mechanical Data

<i>Mechanical life</i>	50,000 Switching cycles
<i>Operating travel</i>	6 mm
<i>Switching function</i>	Latching function
<i>Unlocking</i>	Rotary release left/right

Technical Drawings

→ Dimensional drawing



→ Cutout dimensions

