

Datasheet

→ **QRN** 

10/31/2024



Technical Data

Pilot light head

| | |
|--------|-----------------------------------|
| Series | QUARTEX®-R |
| Rubric | Light attachment/indicator lights |
| Shape | square |

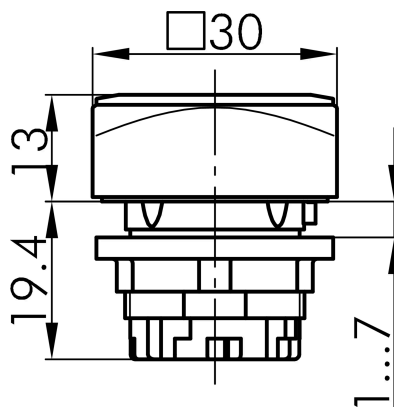


→ General Data

| | |
|-------------------|------------|
| Illumination | Yes |
| Protection class | IP65 |
| Mounting aperture | Ø 22.3 mm |
| Front frame color | anthracite |

Technical Drawings

→ Dimensional drawing



→ Cutout dimensions

