

# Datasheet

→ **FRVKZAL** 

10/31/2024



## Technical Data

Emergency-stop head made of aluminium  
for robust applications  
for 16.2 mm mounting depth

*Series* SHORTRON® intermediate structure

*Rubric* Emergency stop button

*Shape* round



## → General Data

*Illumination* No

*Protection class* IP65  
IP67

*Approvals* CE, TÜV\_Süd, UKCA

*Operating temperature* -25 ... 70 °C

*Storage temperature* -40 ... 80 °C

*Mounting position* any

*Mounting aperture* Ø 22.3 mm

*Front frame color* yellow

*Actuator color* red

## → Mechanical Data

*Tightening torque (fastening nut)* min. 1.3 Nm  
max. 1.9 Nm

*Mechanical life* 50,000 Switching cycles

*Unlocking* Rotary release left/right

→ **Note**

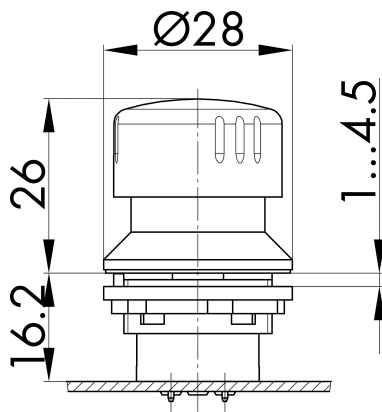
With switching position indicator  
 With plunger extension

Snap-fit the corresponding contact block (PTS...) to the actuator neck of the FRVKZ.  
 Spacer sleeves ensure the correct distance between PCB and mounting plate. Screws must be secured against loosening.

Attention: must not be used for the illuminated version !

**Technical Drawings**

→ Dimensional drawing



→ Cutout dimensions

