

YPVLOO

17.01.2023

Emergency-stop - 2 NC with pull release



General Data

Type reference	YPVLOO
Description	Illuminated emergency-stop head, foolproof, for base-plate mounting
Approvals	CE, cURus, TÜV_Süd, UKCA
Contact type	2 NC
Degree of protection	IP65 / IP67 / IP69K
Connection type	Faston terminals 2.8 mm x 0.5 mm
Contact material	AgNi
Max. storage temperature	-40°C ... 80°C
Max. operating temperature	-25°C ... 70°C
Mechanical life	30,000 switching cycles
Electrical life (rated load)	30,000 switching cycles at rated load
Contact resistance NC	< 20 mOhm
Bouncing time NC	< 10ms
Positive opening contact	acc. to EN60947-5-1, appendix K

Electrical data acc. to IEC/EN 60947-5-1 (VDE 0660 Sect. 200)

	alternate current	direct current
Utilisation category	AC15	DC13
Rated insulation voltage Ui	250 V	250 V
Rated operating voltage Ue	240 V / 35 V	250 V / 35 V
Rated operating current Ie	1.5 A / 5 A	0.27 A / 2 A
Breaking capacity	10Ie	1,1Ie
Continuous thermal current	5 A	-

Technical Data - Lamp

Lamp socket	none, with integrated LED
Max. lamp voltage	30 V AC/DC
Max. lamp output	8mA/4.5 mA (at 24 V DC/AC)



Definition	X1 ...anode, X2...cathode
------------	---------------------------

Additional data

Mounting aperture	16.2 mm
Tightening torque (mounting nut)	0.8 ... 1.5 Nm
Release	pull to release
Mounting position	any
Standards	EN 60947-5-1, EN 60947-5-5, EN ISO 13850
Material group	I
Overvoltage category	II
Pollution degree	2
Operating force	max. 40 N (at 20 mm/min)
Release force	20 N ≤ Fe ≤ 50 N
Ld	20% (NC)
B10d [cycles]	179,000

Note

with switching position indicator
O = NC contact, L = LED

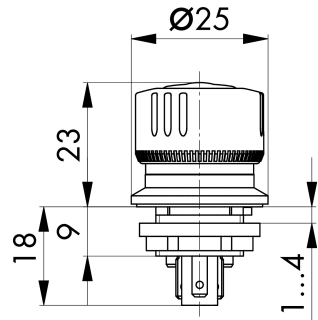
Use partially insulated Faston clamps (for versions with Faston connections)!

Recommended Schlegel type: "FHTI2,8x0,5_01"
0.5 - 1.5 mm² (AWG 20-16)
-30°C - 75°C

Data acc. to UL508, IEC60947-5-5

Tightening torque (mounting nut)	0.8 ... 1.5 Nm (plastic nut) 1.2 Nm (metal nut)
Rating contact block	C300, 35V/2A R300, 35V/2A
Lamp rating	30 V AC/DC; Rated power max.: 8mA/4.5mA (at 24 V DC/AC)
Enclosure Type	Type 1 (front face)





YPVLOO

