

# Datasheet

→ **RRJ\_USB\_AB** 

10/30/2024



## Technical Data

USB2.0 jack A/jack B

*Series* RONTRON-RJUWEL

*Rubric* Mounting jack

*Shape* round



## → General Data

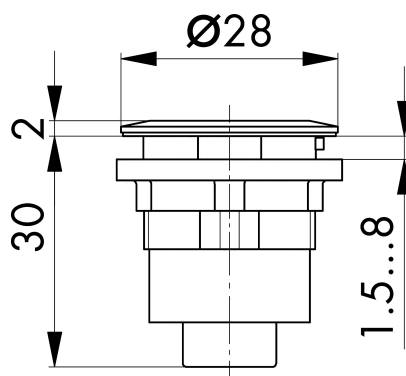
*Illumination* No

*Mounting aperture* Ø 22.3 mm

*Front frame color* silver colored

## Technical Drawings

→ Dimensional drawing



→ Cutout dimensions

