

# Datasheet

→ **SSWCTLRBF** 

11/26/2024



## Technical Data

Tactile pushbutton with ring illumination

*Series* SHORTRON<sup>®</sup>

*Rubric* Push button

*Shape* round



## → General Data

*Illumination* Yes

*Protection class* IP65  
IP67

*Mounting aperture* Ø 22.3 mm

*Installation depth* 23.5 mm

*Front frame color* black

*Actuator color* blue

*Connection* Flat plug 2.8x0.8 mm

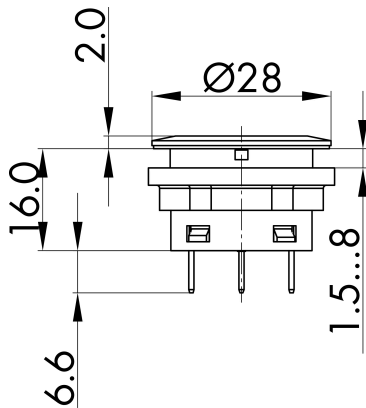
*Contact type* 1 CO

## → Mechanical Data

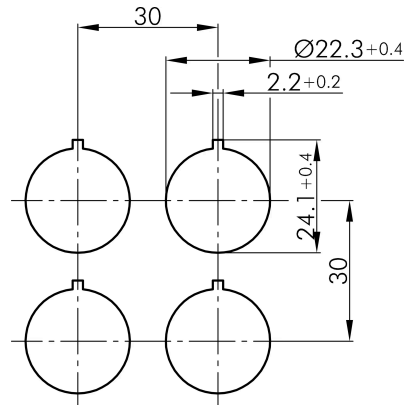
*Switching function* Momentary function

## Technical Drawings

→ Dimensional drawing



→ Cutout dimensions



→ Circuit diagram

