

KRJUV

01.07.2021

Emergency-stop head



General Data

Type reference:	KRJUV
Description:	Emergency-stop head, foolproof
Approvals:	CE, TÜV, UR
Degree of protection:	IP65 / IP67
Max. storage temperature:	-50°C ... 85°C
Max. operating temperature:	-30°C ... 70°C
Mechanical life:	50,000

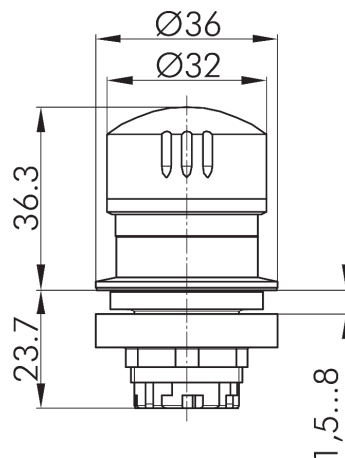
Technical data

Mounting aperture:	30.5mm
Tightening torque (mounting nut):	max. 2.5 Nm
Release:	twist release, left or right
Mounting position:	any
Standards:	EN 60947-5-1, EN 60947-5-5, EN ISO 13850

Note

- with switching position indicator
- foolproof acc. to EN ISO 13850
- additional test at -40°C: 6050 cycles

Dimensional drawing



Drilling pattern

