

IKD5

General Data

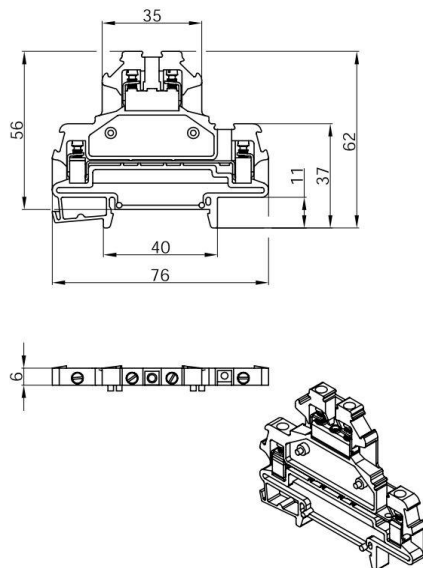
Type Reference:	IKD5
Description:	Double-level Feed-through terminal, screw connection
Approvals:	CE
Terminal type:	Double-level feed-through terminal, screw connection
Terminal width:	6 mm
Mounting method:	Top hat rail N35, EN60715 TH35
Connection type:	screw connection, slotted screw
Thread size of screw connection:	M3
Torque:	0,5...0,8 Nm
Rated cross section:	4 mm ²
Wire size (solid):	0.5 ... 6 mm ²
Wire size (stranded):	0.5 ... 4 mm ²
Rated voltage:	750 V
Rated current:	32 A
Max. storage temperature:	-40°C ... 80°C
Max. operating temperature:	-30°C ... 40°C

Data acc. to IEC 60947-7-1

Flammability class acc. to UL94:	V2
Pollution degree :	3
Overvoltage category:	III
Material group:	I
Insulating material:	PA 6.6
Stripping length:	

Note

appropriate end section:	ITWD5
--------------------------	-------



- subject to alterations -