

Datasheet

→ **SSWTLRR** 

10/31/2024



Technical Data

-

<i>Series</i>	SHORTRON® intermediate structure
<i>Rubric</i>	Push button
<i>Shape</i>	round



→ General Data

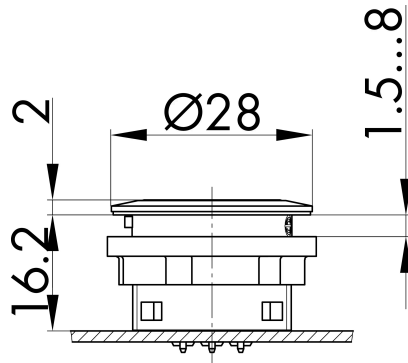
<i>Illumination</i>	Yes
<i>Protection class</i>	IP65 IP67
<i>Approvals</i>	CCC, CE, cURus, ENEC10, VDE, UKCA
<i>Operating temperature</i>	-25 ... 70 °C
<i>Storage temperature</i>	-40 ... 80 °C
<i>Mounting position</i>	any
<i>Mounting aperture</i>	Ø 22.3 mm
<i>Front frame color</i>	black
<i>Actuator color</i>	red

→ Mechanical Data

<i>Tightening torque (fastening nut)</i>	min. 1.5 Nm max. 1.9 Nm
<i>Mechanical life</i>	1,000,000 Switching cycles
<i>Operating travel</i>	2.3 mm
<i>Switching function</i>	Momentary function

Technical Drawings

→ Dimensional drawing



→ Cutout dimensions

