

RRJVASSA28

21.06.2021

Key actuator, momentary



General Data

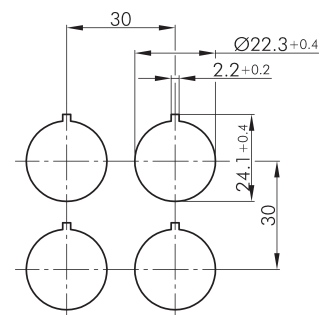
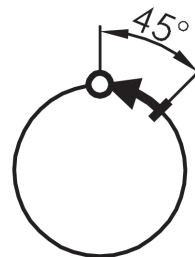
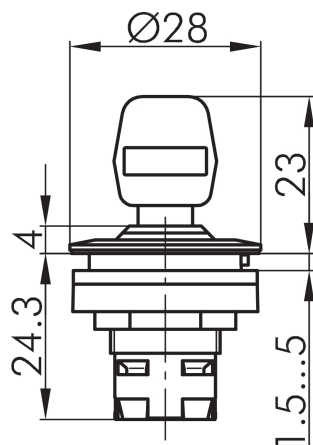
Type reference	RRJVASSA28
Description	Key switch
Approvals	CCC, CE, cURus, UKCA
Degree of protection	IP65
Max. storage temperature	-50°C ... 85°C
Max. operating temperature	-25°C ... 70°C

Technical data

Mounting aperture	22.3 mm
Tightening torque (mounting nut)	max. 1.5 Nm

Data cc. to UL508/ CSA 22.2 No. 14-18

Enclosure Type	Type 4x indoor
----------------	----------------



I = Schaltstellung / Switching position / Position de contact
 > = Federückzug / Spring return / Rappel par ressort
 O = Schlüsselabzugstellung / Key removable position Retrait de la clé

