

# Datasheet

→ **QXJKDG** 

10/31/2024



## Technical Data

Toggle head

*Series* QUARTRON-JUWEL®

*Rubric* Toggle head

*Shape* square



## → General Data

*Illumination* No

*Protection class* IP65

*Mounting aperture* 24 x 24 mm

*Front frame color* anthracite

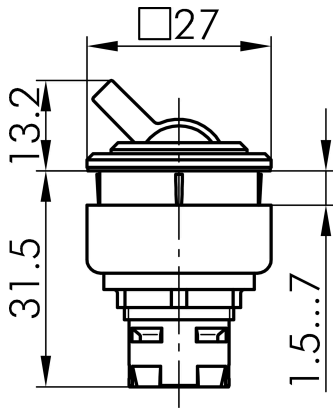
*Actuator color* red

## → Mechanical Data

*Switching function* Latching function

## Technical Drawings

→ Dimensional drawing



→ Cutout dimensions

