

RRJVAFT

28.06.2022

Membrane pushbutton head



General Data

Type reference	RRJVAFT
Description	Single membrane pushbutton
Approvals	CCC, cCSAus, CE, cURus, DGUV_Test, UKCA
Degree of protection	IP66 / IP69K
Operation travel	1.5 mm
Max. storage temperature	-50°C ... 85°C
Max. operating temperature	-25°C ... 70°C
Mechanical life	1 million switching cycles (20°C)

Technical data

Mounting aperture	22.3 mm
Tightening torque (mounting nut)	0.8 ... 1.2 Nm /optional: with S16 mounting tool
Mounting position	hygienic application: observe the operating instructions otherwise: any

Note

- high UV and moisture resistance
- life time at -40°C max. 50,000 (using CT...)

Use in hygienic areas:

- permanent in the range of -25°C to +40°C, for a short time up to +70°C
- Cleaning with high-pressure cleaners is not recommended, if so the water pressure must be limited to 40 bar max. and the water temperature to 70°C max.

- stainless steel front bezel (high ring)
- membrane ring black
- illumination option
- with blank nameplate
- with standard or special imprint on request

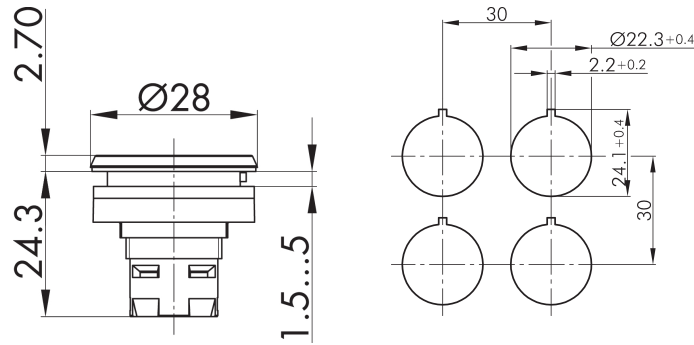
Possible coloured membranes:

- black ring RRJVAFT
- blue ring RRJVAFTBL
- yellow ring RRJVAFTGB
- red ring RRJVAFTRT
- white ring RRJVAFTWS
- green ring RRJVAFTGN

Data cc. to UL508/ CSA 22.2 No. 14-18

Enclosure Type	Type 4x indoor
----------------	----------------





sample picture

[Bild exemplarisch]

