

PTSLII\_AU

17.12.2021

**Illuminated contact block, momentary**



**General Data**

Type reference	PTSLII_AU
Description	Contact block, gold-plated contacts, for base-plate mounting
Approvals	CCC, CE, cURus, ENEC10, VDE, UKCA
Contact type	2 NO
Degree of protection	IP00
Operation travel	2.3 mm
Connection type	PCB-mount terminals
Contact material	AgNi, gold-plated
Max. storage temperature	-40°C ... 80°C
Max. operating temperature	-25°C ... 70°C
Mechanical life	1 million switching cycles
Electrical life (rated load)	1 million switching cycles
Contact resistance NO	< 50 mOhm (new state)
Bouncing time NO	< 10ms

**Electrical data acc. to IEC/EN 60947-5-1 (VDE 0660 Sect. 200)**

	alternate current	direct current
Utilisation category	-	-
Rated insulation voltage $U_i$	250 V	-
Rated operating voltage $U_e$	-	-
Rated operating current $I_e$	-	-
Breaking capacity	-	-
Continuous thermal current	-	-

**Technical Data - Lamp**

Lamp socket	none, with integrated 3 mm LED
Max. lamp voltage	30 V AC/DC
Max. lamp output	14 mA (at 24 V DC)
Definition	X1 ...anode, X2...cathode



### Electrical features

Switching voltage	20 mV ... 42 V AC/DC
Switching current	1 mA ... 250 mA
Pollution degree	2
Overvoltage category	II
Rated impulse voltage	2.5 kV

### Note

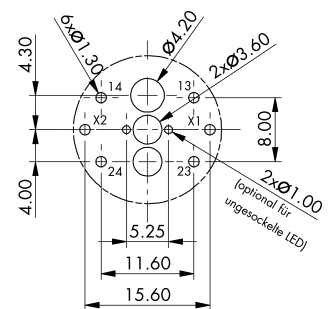
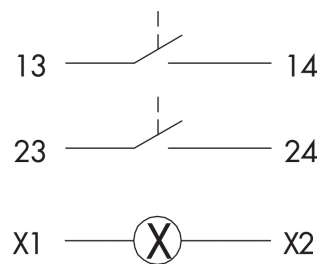
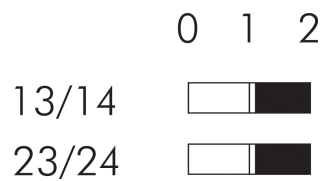
I = NO contact

The contact unit is being snapped into neck of the pushbutton/switch head.  
Spacer sleeves ensure the correct distance of the connection between PCB and mounting plate.  
The fixing nut must be secured against loosening.

Installation instruction:  
The position offset between the operator element and the switching element must be in a  $\varnothing 0.2$  mm circle

### Data acc. to UL508

Rating 42 V dc/100 mA



Sicht auf Bestückungsseite der Leiterplatte

