

# Datasheet

→ **QXJDMGKL** 

10/31/2024



## Technical Data

-

*Series* QUARTRON-JUWEL®

*Rubric* Push button



### → General Data

*Illumination* Yes

*Protection class* IP67

*Mounting aperture* 24 x 24 mm

*Front frame color* anthracite

*Actuator color* clear

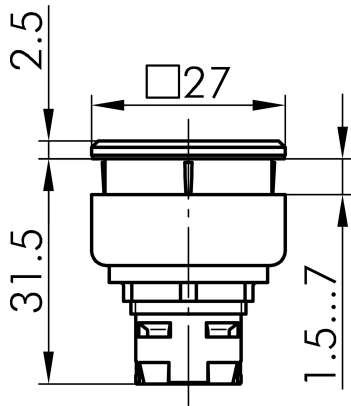
### → Mechanical Data

*Operating travel* 3 mm

*Switching function* Momentary function

## Technical Drawings

→ Dimensional drawing



→ Cutout dimensions

