

Datasheet

→ **QXJDDG** 

10/31/2024



Technical Data

Short-stroke pushbutton head

<i>Series</i>	QUARTRON-JUWEL®
<i>Rubric</i>	Push button
<i>Shape</i>	square



→ General Data

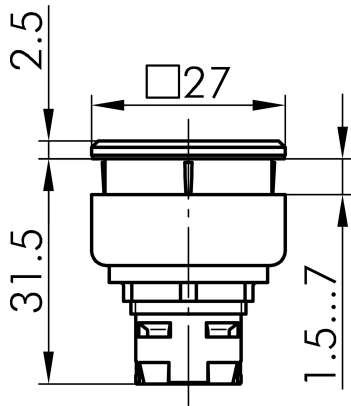
<i>Illumination</i>	Yes
<i>Protection class</i>	IP65
<i>Approvals</i>	CCC, CE, UKCA
<i>Operating temperature</i>	-25 ... 70 °C
<i>Storage temperature</i>	-40 ... 80 °C
<i>Mounting position</i>	any
<i>Mounting aperture</i>	24 x 24 mm
<i>Front frame color</i>	anthracite

→ Mechanical Data

<i>Tightening torque (fastening nut)</i>	max. 1.2 Nm
<i>Mechanical life</i>	1,000,000 Switching cycles
<i>Operating travel</i>	3 mm

Technical Drawings

→ Dimensional drawing



→ Cutout dimensions

