

**RRJSSA31**

21.06.2021

**Key actuator, maintained (3 different keys)**



**General Data**

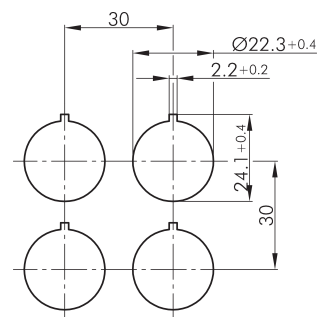
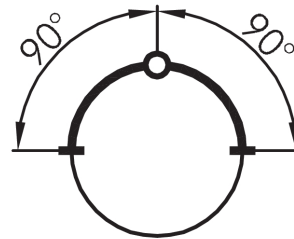
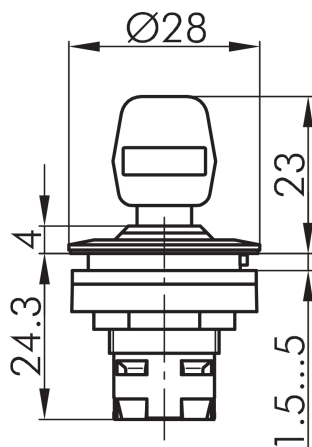
Type reference	RRJSSA31
Description	Key switch
Approvals	CCC, CE, cURus, UKCA
Degree of protection	IP65
Max. storage temperature	-50°C ... 85°C
Max. operating temperature	-25°C ... 70°C

**Technical data**

Mounting aperture	22.3 mm
Tightening torque (mounting nut)	max. 1.5 Nm

**Data cc. to UL508/ CSA 22.2 No. 14-18**

Enclosure Type	Type 4x indoor
----------------	----------------



I = Schaltstellung / Switching position / Position de contact  
 > = Federrückzug / Spring return / Rappel par ressort  
 O = Schlüsselabzugstellung / Key removable position / Retrait de la cle

