

# Datasheet

→ **QRT\_RBL** 

10/31/2024



## Technical Data

Pushbutton head

*Series* QUARTEX®-R

*Rubric* Push button

*Shape* square



## → General Data

*Illumination* Yes

*Protection class* IP65

*Mounting aperture* Ø 22.3 mm

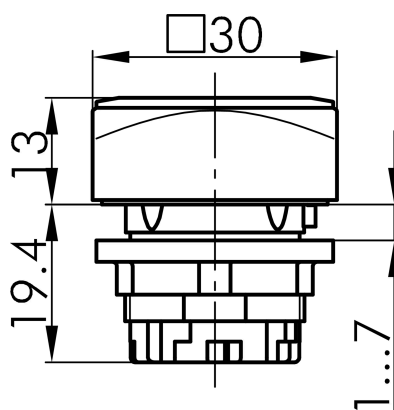
*Front frame color* blue

## → Mechanical Data

*Operating travel* 6 mm

## Technical Drawings

→ Dimensional drawing



→ Cutout dimensions

