

Datasheet

→ **RMCR** 

10/31/2024



Technical Data

Knob set for potentiometers

Series	RONDEX-M
Rubric	Potentiometer
Shape	round

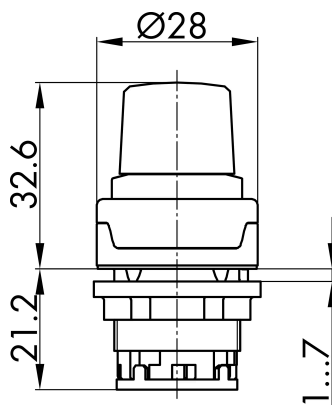


→ General Data

Illumination	No
Protection class	IP65
Mounting aperture	Ø 22.3 mm
Front frame color	metallic/anthracite

Technical Drawings

→ Dimensional drawing



→ Cutout dimensions

