

SSWWAI_C007

01.12.2021

Selector switch, maintained, with 4-pole M12 connector



General Data

| | |
|------------------------------|---|
| Type reference | SSWWAI_C007 |
| Description | Selector switch, 2 positions, maintained, with M12 connector |
| Approvals | CE, cURus, ENEC10, VDE, UKCA |
| Contact type | 1 NO |
| Degree of protection | IP65 (in the front); IP65 / IP67 (on the rear with plugged-in M12 connector) |
| Connection type | 4-pole M12 connector (integrated), A coded |
| Contact material | AgNi |
| Max. storage temperature | -40°C ... 80°C |
| Max. operating temperature | -25°C ... 70°C |
| Mechanical life | 30,000 switching cycles |
| Electrical life (rated load) | 30,000 switching cycles at rated load |
| Contact resistance NO | < 50 mOhm (new state) |
| Bouncing time NO | < 10ms |

Electrical data acc. to IEC/EN 60947-5-1 (VDE 0660 Sect. 200)

| | alternate current | direct current |
|--------------------------------|-------------------|----------------|
| Utilisation category | AC15 | DC13 |
| Rated insulation voltage U_i | 50 V | 50 V |
| Rated operating voltage U_e | 35 V | 35 V |
| Rated operating current I_e | 4 A | 2 A |
| Breaking capacity | - | - |
| Continuous thermal current | 4 A | - |

Additional data

| | |
|-----------------------------------|----------------|
| Mounting aperture | 22.3 mm |
| Tightening torque (mounting nut) | 1.5 ... 1.9 Nm |
| Tightening torque (M12-connector) | max. 0.4 Nm |
| Mounting position | any |



Standards EN 60947-5-1, EN 61058-1

Material group I

Overtoltage category II

Pollution degree 2

Note

I = NO contact

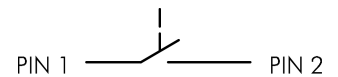
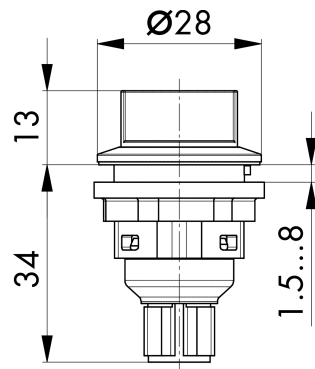
- black front ring

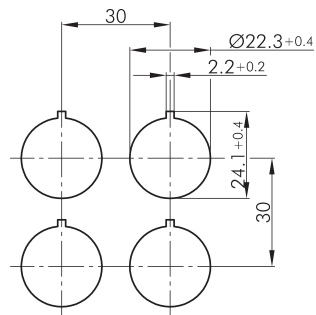
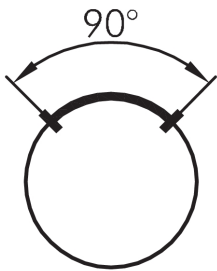
Pin assignment:
Pin 1 Pin 2 Pin 3 Pin 4 Type
NO NO n.c. n.c. 1 NO

Safety instructions / mounting instructions:
- the connector must not be connected or disconnected under load
- the single connector pin may be loaded with max. 4 A

Test data acc. to UL60947-5-1 / C22.2 No. 60947-5-1

Rating 24 V DC 2 A general purpose





Legende:
I= Schaltstellung >= Federrückzug

Legend:
I= Switching position >= Spring return

Légende:
I= Position de contact >= Rappel par ressort

